

Graeden™ Technical Specification

3 Piece Bath Accessory Kit

Y0993

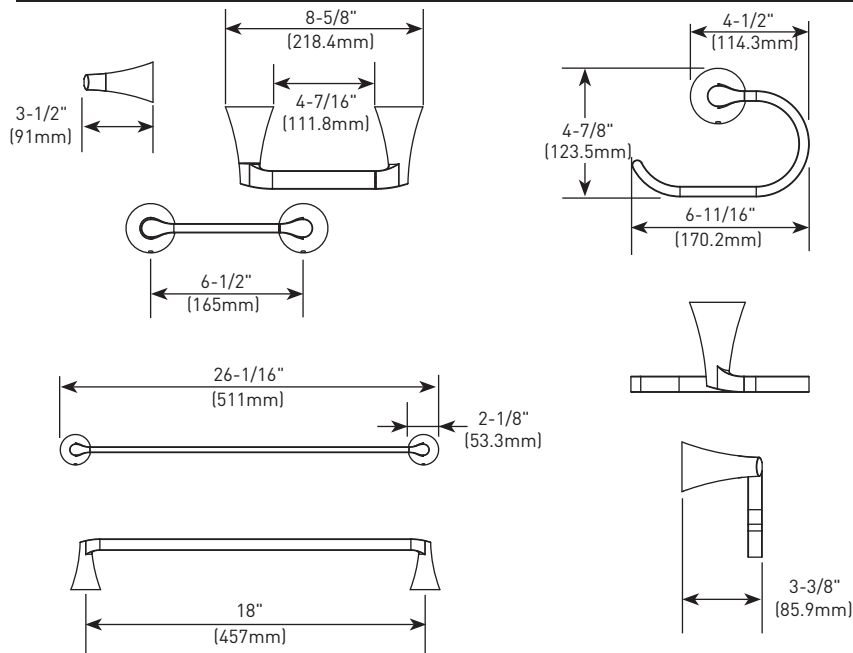
Stock Numbers:

- Y0993BN – Pivoting Paper Holder, Towel Ring, 18" Towel Bar
Brushed Nickel
- Y0993 BL – Pivoting Paper Holder, Towel Ring, 18" Towel Bar
Matte Black
- Y0993 CH – Pivoting Paper Holder, Towel Ring, 18" Towel Bar
Chrome

Materials:

Pivoting Paper Holder, Towel Ring, & 18" Towel Bar are constructed of zinc.

Dimensions:



Installation Instructions:

Please refer to product instructions for installation steps.

Cleaning Instructions:

To preserve the fine finish of this product, clean only with a soft damp cloth. Dry well. Do not use commercial or abrasive cleaners.

Stock Number: _____ Pivoting Paper Holder, Towel Ring, 18" Towel Bar By Moen Incorporated

25300 AL MOEN DRIVE • NORTH OLMSTED, OH 44070
CORPORATE HEADQUARTERS: (800) 321-8809 • FAX: (800) 848-6636
INTERNATIONAL: (440) 962-2000 • FAX: (440) 962-2726
CUSTOMER SERVICE (USA): 800-882-0116 • FAX: (888) 379-2720
WWW.MOEN.COM
© 2023 Moen Incorporated.

MOEN®

MOEN®
PAPER HOLDER
TOWEL RING
TOWEL BAR